



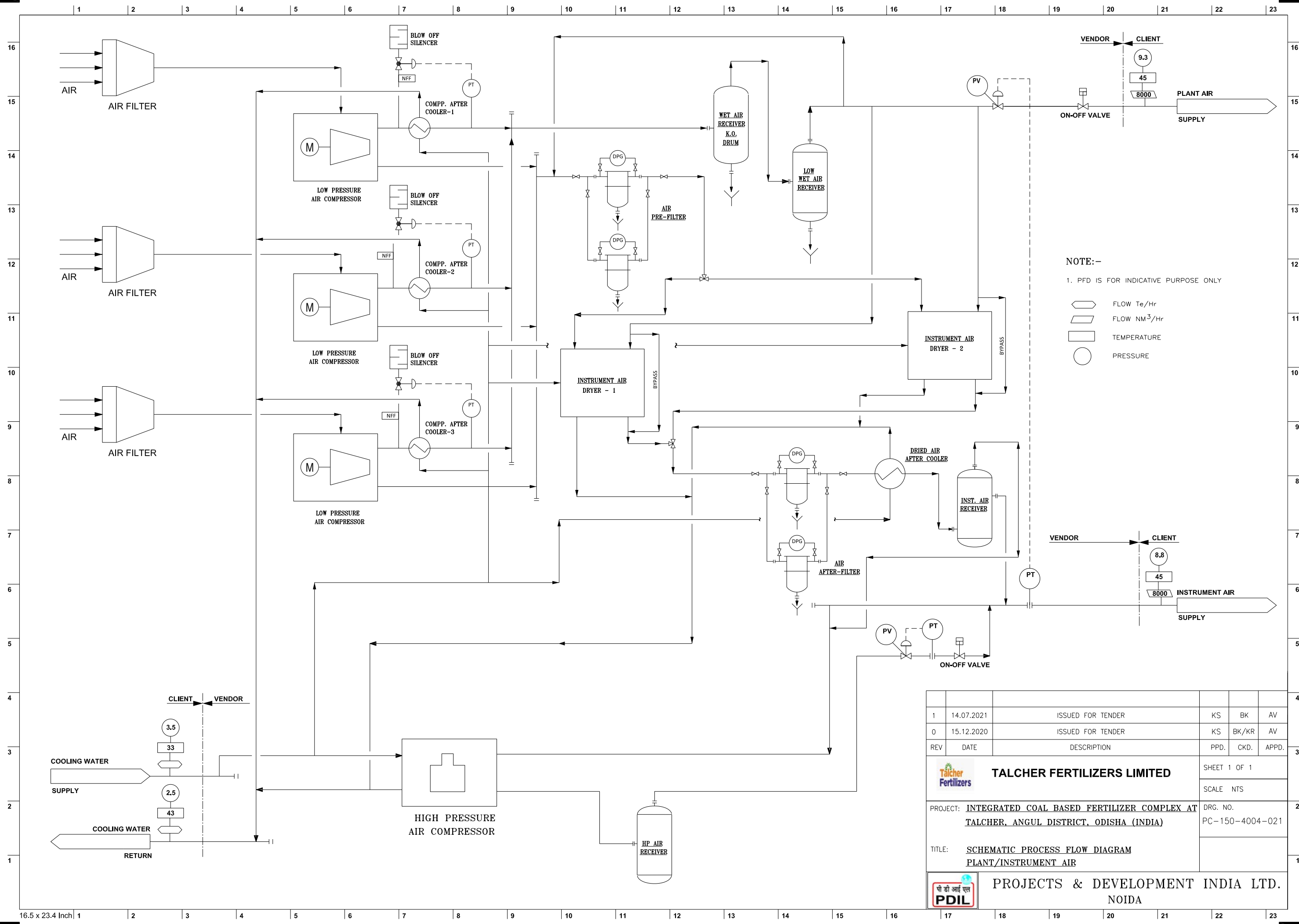
INSTRUMENT AIR & PLANT AIR SYSTEM AT TALCHER, ODISHA (INDIA)
NIT No. PNMM/PC-183/E/4008/NCB Dated 24.05.2021
AMENDMENT- V Technical, Date : 20-07-2021



SL. NO.	REFERENCE OF BIDDING DOCUMENT				AMENDMENT TYPE	MODIFICATION/ AMENDMENT
	Part/Sec.	Page No.	Clause No.	Description as per NIT	M/D/A	
1	Annexure-I	304 of 959		"PFD" for Instrument Air & plant Air System.	M	PFD is revised due to amendment-1, Sr. No-1 & 2 is attached as annexure-I. Note: This revised PFD is for indicative purpose only.

M: MODIFICATION, A: ADDITION, D: DELETION

Note: - The clauses in Amendment shall take precedence/superseded over all other pre bid replies against the respective clause.



NOTE:-
 1. PFD IS FOR INDICATIVE PURPOSE ONLY

FLOW Te/Hr
 FLOW NM³/Hr
 TEMPERATURE
 PRESSURE

1	14.07.2021	ISSUED FOR TENDER	KS	BK	AV
0	15.12.2020	ISSUED FOR TENDER	KS	BK/KR	AV
REV	DATE	DESCRIPTION	PPD.	CKD.	APPD.
TALCHER FERTILIZERS LIMITED			SHEET 1 OF 1		
PROJECT: INTEGRATED COAL BASED FERTILIZER COMPLEX AT TALCHER, ANGUL DISTRICT, ODISHA (INDIA)			SCALE NTS		
TITLE: SCHEMATIC PROCESS FLOW DIAGRAM PLANT/INSTRUMENT AIR			DRG. NO. PC-150-4004-021		
PROJECTS & DEVELOPMENT INDIA LTD. NOIDA					